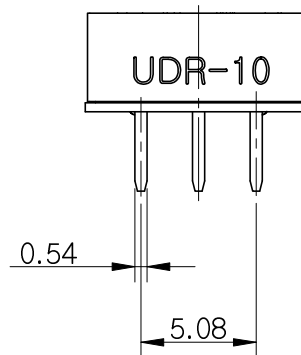
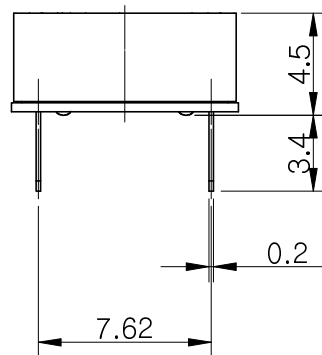
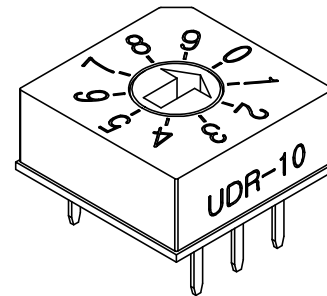
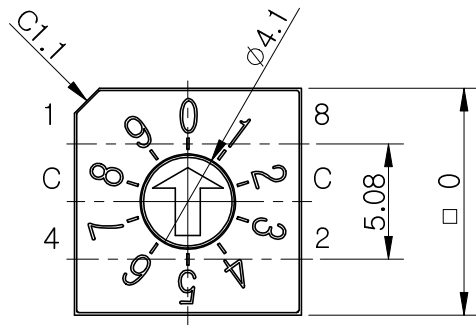
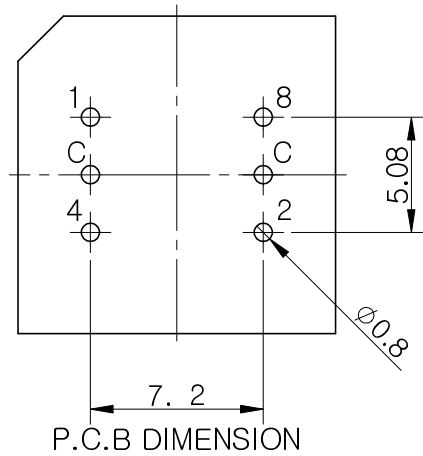


| | | | |
|------|------|----------|------|
| MRK. | DATE | REVISION | SIGN |
| △ | | | |



Specification

- Rating : 25mA, 12V DC (Switching)
25mA, 24V DC (None-Switching)
- Contact Resistance : 100mΩ Max
- Insulation Resistance : 100MΩ Min
- Operating Force : 700gf Max
- Life cycle : 10,000 steps

| | | Real Code | | | | |
|--|---|-----------|---|---|---|---|
| | | C | 1 | 2 | 4 | 8 |
| 10 P O S I T I O N | 0 | ● | | | | |
| | 1 | ● | ● | | | |
| | 2 | ● | | ● | | |
| | 3 | ● | ● | ● | | |
| | 4 | ● | | | ● | |
| | 5 | ● | ● | | ● | |
| | 6 | ● | | ● | ● | |
| | 7 | ● | ● | ● | ● | |
| | 8 | ● | | | | ● |
| | 9 | ● | ● | | | ● |
| A B C D E F | A | ● | | ● | | ● |
| | B | ● | ● | ● | | ● |
| | C | ● | | | ● | ● |
| | D | ● | ● | | ● | ● |
| | E | ● | | ● | ● | ● |
| | F | ● | ● | ● | ● | ● |

STANDARD LAYOUT

| | | | | | |
|--------------------------------|-------------|-----------|-------|--------------|--------|
| 01 | UDR Series | 재질 <지정안함> | | 1 | - |
| NO. | DESCRIPTION | MATERIAL | | COLOR/FINISH | VENDOR |
| DRAW/DESIGNED | CHECKED | APPROVED | G.TOL | TITLE | |
| | | | ±0.1 | UDR Series | |
| 2017-03-09 | | | UNIT | SCALE | MODEL |
| | | | mm | 3:1 | UDR-10 |
| BONSDA ELECTRONICS 深圳市子庚科技有限公司 | | | SIZE | DRAW NO. | SHEET |
| | | | A4 | U0DR-1000-01 | 1/1 |