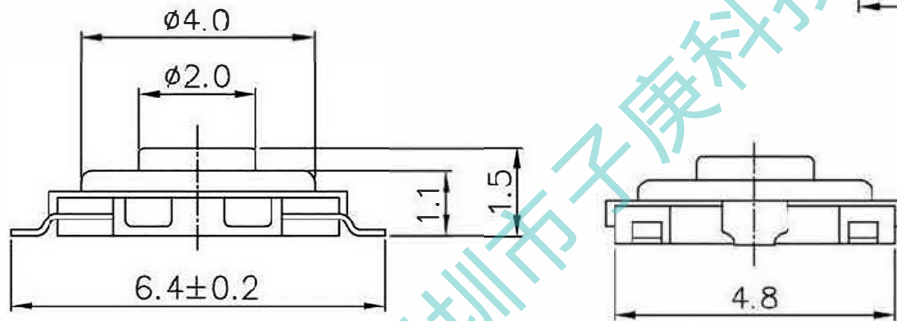
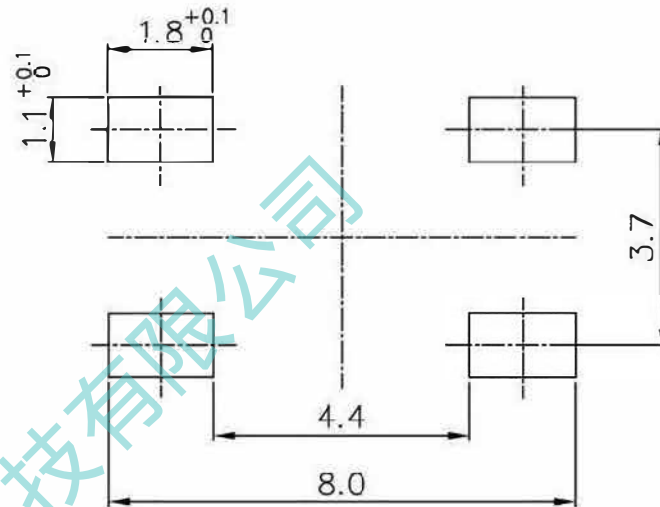


P.C.B LAND PATTERN

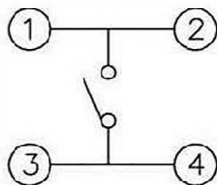


SPECIFICATION

1. RATING : DC 12V 50mA
2. TRAVEL : 0.2±0.1mm
3. CONTACT RESISTANCE : 100mΩ MAX.
4. BOUNCE : 10m SEC MAX.

MODEL	OPERATING FORCE	LIFE CYCLES
STP-1152	160±50gf	1,000,000 CYCLE

CIRCUIT DIAGRAM



深圳市子庚科技有限公司

TOLERANCE UNLESS OTHERWISE STATED(mm)	PART NO.	MODEL	Q'TY	MATERIAL	SPECIFICATION	TREATMENT	REFERENCE
	less than 10 — ±0.1				TRIGONOMETRY	SCALE 1/1	USER
10~30 — ±0.2				APPROVAL	DESIGN	TITLE	
30~100 — ±0.3				LEE . K L	ROH . J P	LEE . W J	DWG NO.
ANGLE ±2°	MARK	DATE	APPR.	CHECK	DESIGN		BSD-STP1152

A3 (420\*297mm)



深圳市子庚科技有限公司