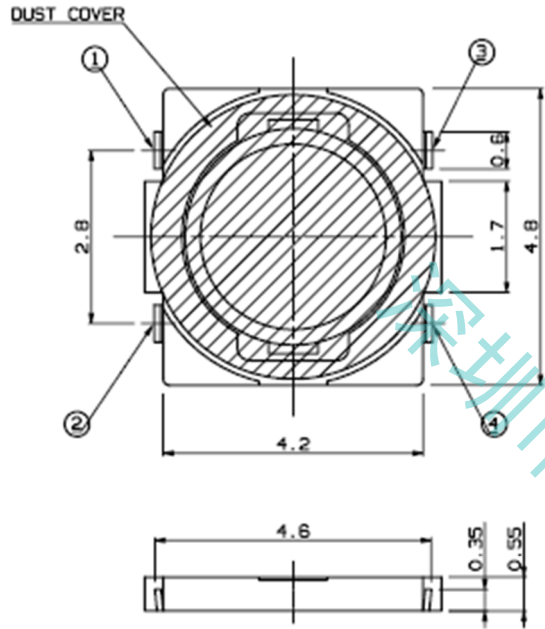
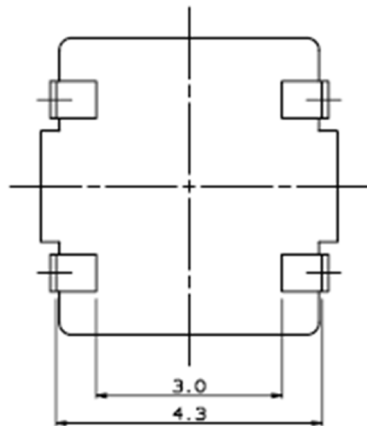
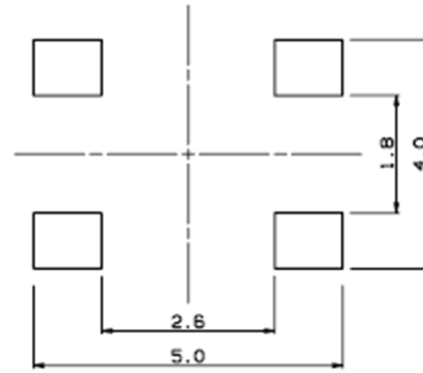


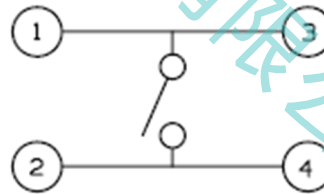
MRK.	DATE	REVISION	SIGN
△			



P.C.B DIMENSION



CIRCUIT DIAGRAM



SPECIFICATION

1. RATING : DC 12V 50mA
2. TRAVEL : 0.2±0.1mm
3. CONTACT RESISTANCE : 100mΩ MAX.
4. BOUNCE : 10m SEC MAX.
5. OPERATING FORCE : 160±30gf
6. LIFE CYCLES : 50,000 CYCLE

QTY	NO.	DESCRIPTION	MATERIAL	COLOR/FINISH	Q.TY	VENDOR
01	-	-	-	-	1	-
DRW/DESIGNED	CHECKED	APPROVED	 ±0.2 UNIT mm SCALE 4:1 SIZE A4	TITLE	TACT SWITCH	
W.J.LEE	J.P.ROH	K.L.LEE		MODEL	BSD-STP1197	SHEET
			SIZE	DRAW ND.	1/1	



深圳市子庚科技有限公司