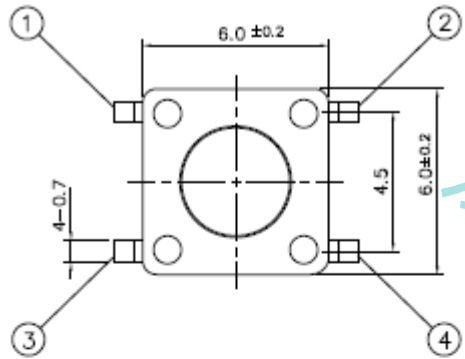
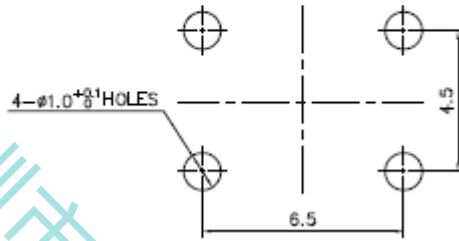


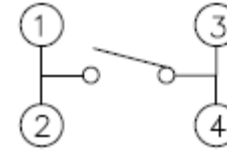
MRK.	DATE	REVISION	SIGN
△			



P.C.B MOUNTING PATTERN

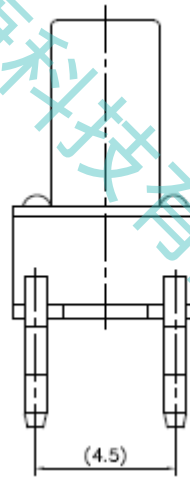
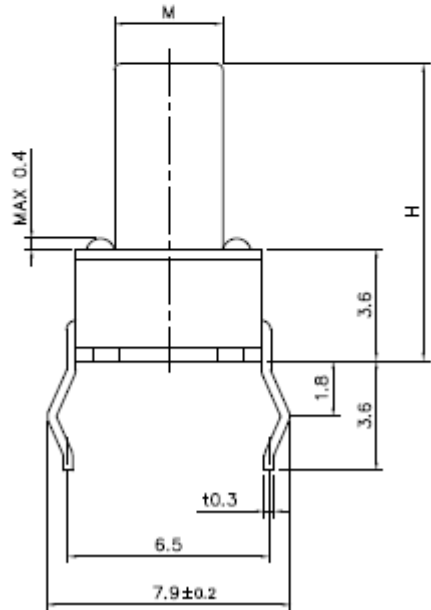


CIRCUIT DIAGRAM



SPECIFICATION

1. RATING : DC 12V 50mA
2. TRAVEL : 0.25 ±0.1mm
3. CONTACT RESISTANCE : 100mΩ MAX.
4. BOUNCE : 10m SEC MAX.
5. LIFE CYCLE : 80,000 CYCLE



MODEL	H (mm)	M(∅)	OPERATING FORCE
STP-1230A	5.0	3.4	160±50gf
STP-1230D	13.0	3.3	160±50gf
STP-1230F	8.5	3.2	160±50gf
STP-1230G	7.0	3.4	160±50gf
STP-1230GS	7.0	3.5	250±50gf

01	-	-	-	1	-
NO.	DESCRIPTION		MATERIAL	COLOR/FINISH	
DRAW/DESIGNED	CHECKED	APPROVED		TITLE	TACT SWITCH
W.J.LEE	J.P.ROH	K.L.LEE		UNIT	
			mm	SCALE	BSD-STP1230
				4:1	
				SIZE	
				A4	
深圳市子庚科技有限公司			DRAW		SHEET
			ND.		1/1