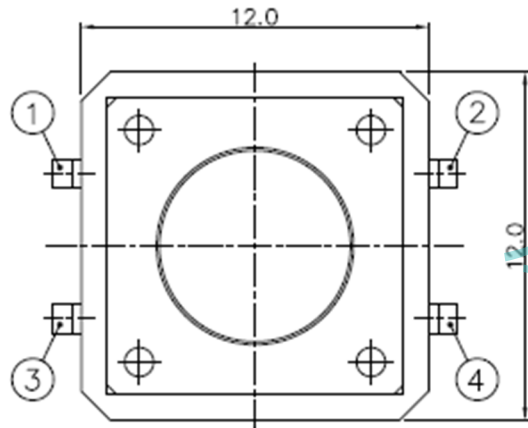
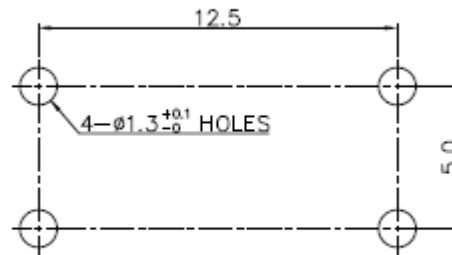


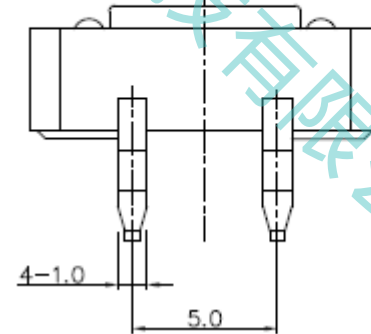
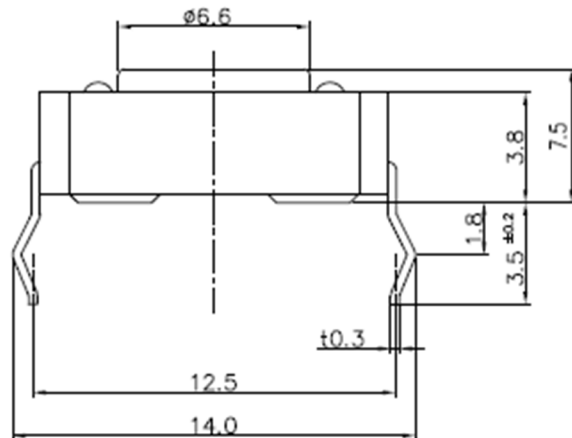
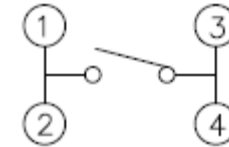
MRK.	DATE	REVISION	SIGN
△			



P.C.B MOUNTING HOLES



CIRCUIT DIAGRAM



SPECIFICATION

1. RATING : DC 12V 50mA
2. TRAVEL : 0.3±0.1mm
3. CONTACT RESISTANCE : 100mΩ MAX.
4. BOUNCE : 10m SEC MAX.
5. OPERATING FORCE : 160±50gf
6. LIFE CYCLES : 300,000 CYCLE

QTY	NO.	DESCRIPTION	MATERIAL	COLOR/FINISH	Q.TY	VENDOR
01	-	-	-	-	1	-
	W.J.LEE	J.P.ROH	K.L.LEE	±0.1	TITLE TACT SWITCH	
				UNIT mm	SCALE 4:1	MODEL BSD-STP1212A
				SIZE A4	DRAW NO.	SHEET 1/1



深圳市子庚科技有限公司