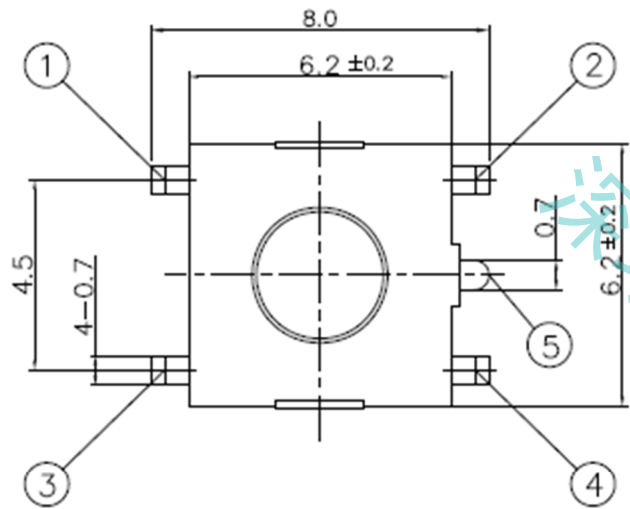
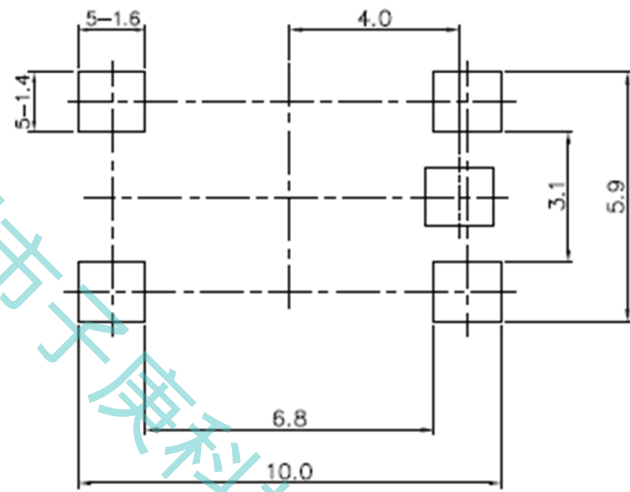


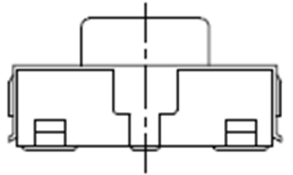
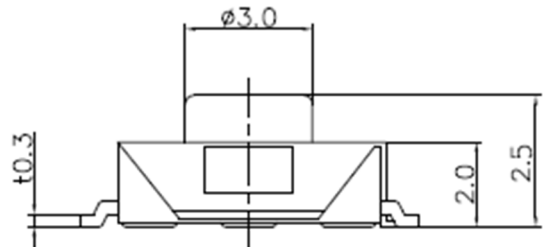
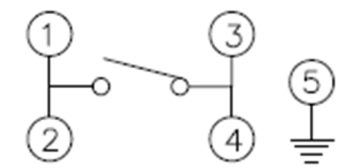
MRK.	DATE	REVISION	SIGN
△			



P.C.B LAND PATTERN



CIRCUIT DIAGRAM



SPECIFICATION

1. RATING : DC 12V 50mA
2. TRAVEL : 0.25±0.1mm
3. CONTACT RESISTANCE : 100mΩ MAX.
4. BOUNCE : 10m SEC MAX.
5. OPERATING FORCE : 160±50gf
6. LIFE CYCLES : 80,000 CYCLE

01	-	-	-	1	-
NO.	DESCRIPTION	MATERIAL	COLOR/FINISH	Q.TY	VENDOR
W.J.LEE	J.P.ROH	K.L.LEE	TITLE	TACT SWITCH	
			UNIT	SCALE	MODEL
			mm	4:1	BSD-STP1125
深圳市子庚科技有限公司			SIZE	DRAW	SHEET
			A4	NO.	