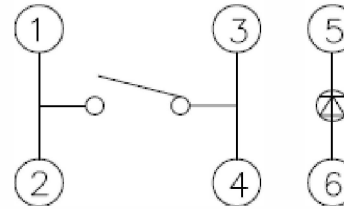
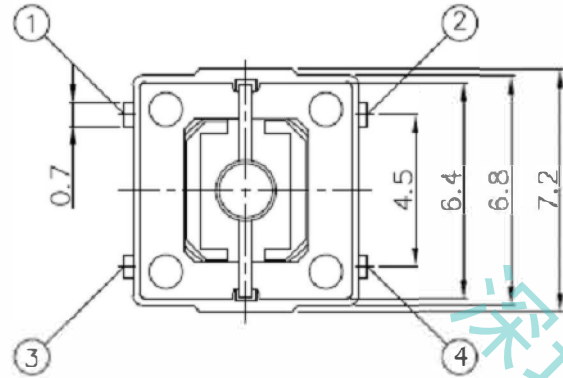


MRK.	DATE	REVISION	SIGN
△			

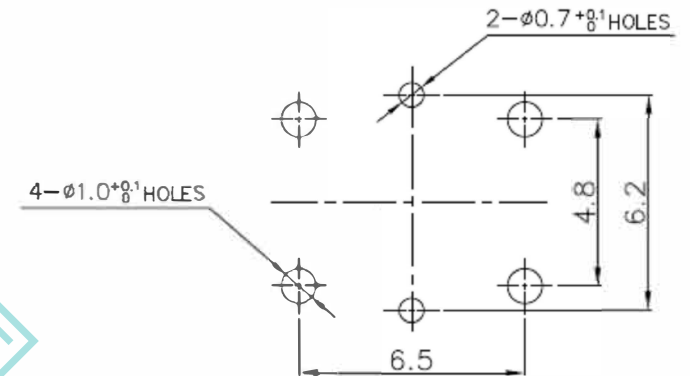
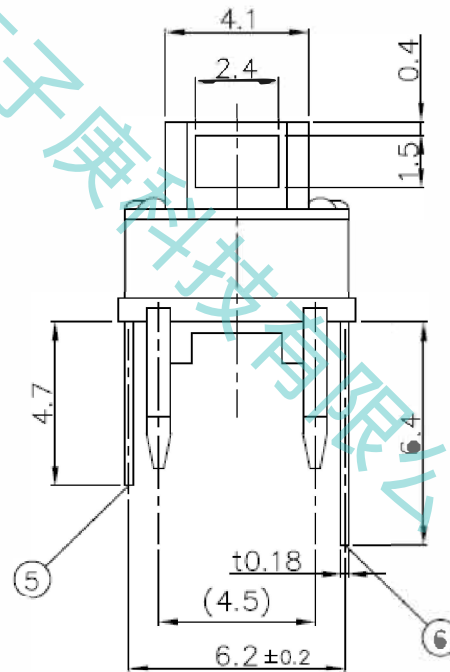
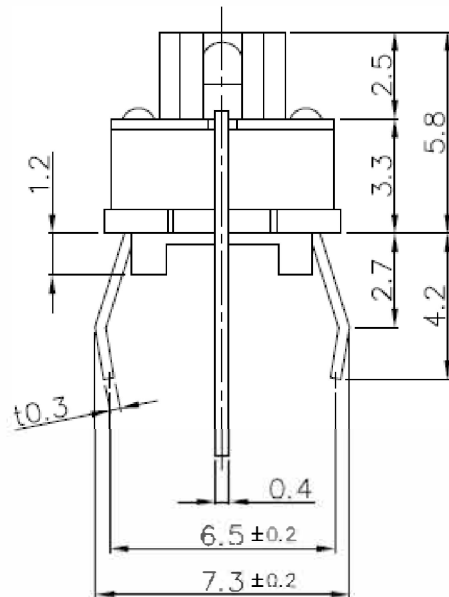


CIRCUIT DIAGRAM

## SPECIFICATION

1. RATING : DC 12V 50mA
2. TRAVEL : 0.25±0.1mm
3. CONTACT RESISTANCE : 100mΩ MAX.
4. BOUNCE : 10m sec. MAX.
5. OPERATING FORCE : 160±30gf
6. LIFE CYCLES : 100,000 CYCLES
7. WITH LED : OPTION

MODEL	COLOR
STP-1194G	GREEN
STP-1194R	RED
STP-1194B	BLUE



P.C.B DIMENSION

01	-	-	-	1	-
NO.	DESCRIPTION	MATERIAL	COLOR/FINISH	Q.TY	VENDOR
W.J.LEE	J.P.ROH	K.I.LEE	TITLE	TACT SWITCH	
			MODEL	BSD-STP1194	
			DR	SHEET	
				1/1	



深圳市子庚科技有限公司