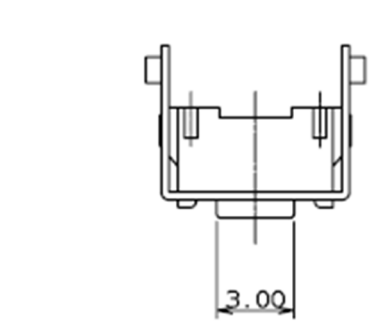
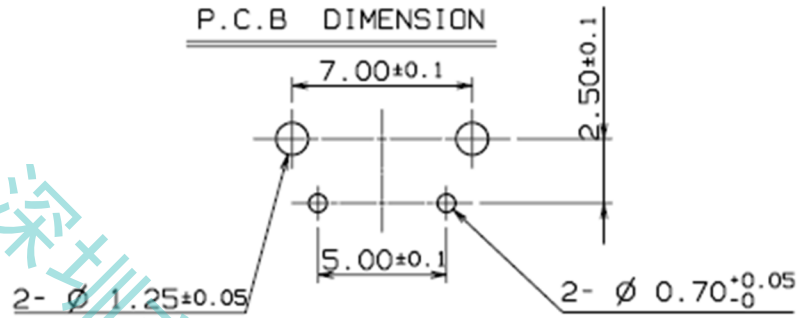


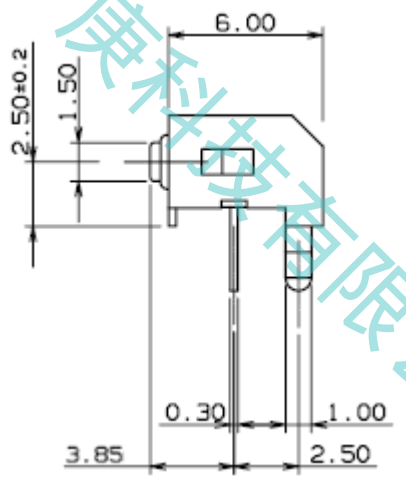
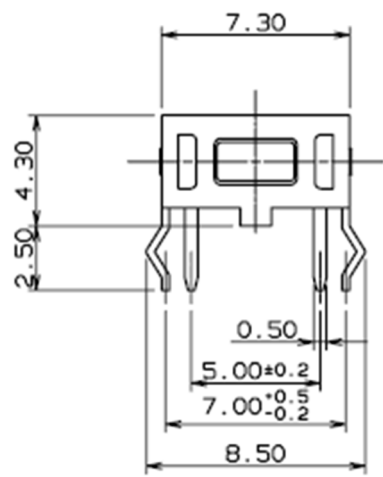
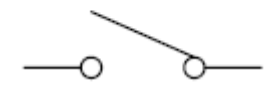
MRK.	DATE	REVISION	SIGN
△			



P.C.B DIMENSION



CIRCUIT DIAGRAM



SPECIFICATION

1. RATING : DC 12V 50mA
2. TRAVEL : 0.25 +0.2/-0.1mm
3. CONTACT RESISTANCE : 100mΩ MAX.

MODEL	OPERATING FORCE
STP-1117	180±50gf
STP-1117W	250±50gf

01	-	-	-	1	-	
NO.	DESCRIPTION		MATERIAL	COLOR/FINISH	Q.TY	VENDOR
DRAW/DESIGNED	CHECKED	APPROVED	G.TOL ±0.3	TITLE	TACT	
W.J.LEE	J.P.ROH	K.LLEE	UNIT mm	SCALE 4:1	MODEL	SWITCH
			SIZE A4	DRAW NO.	STP-1117	SHEET 1/1