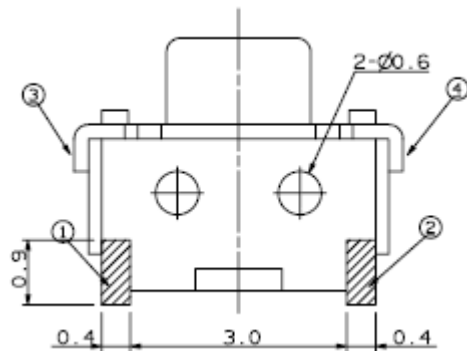
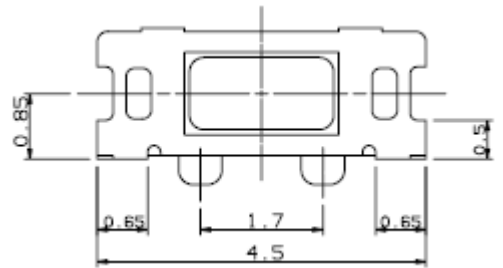
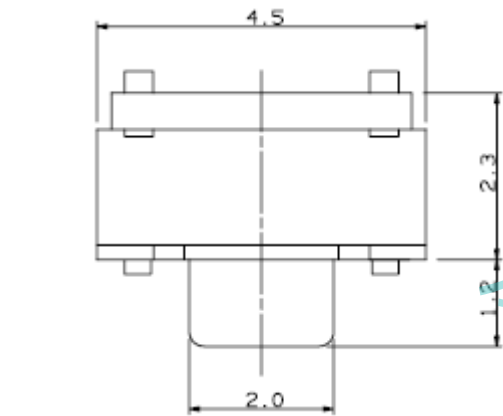
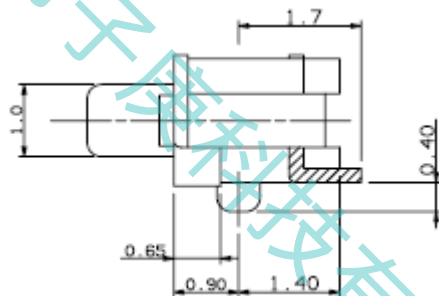
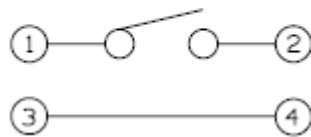


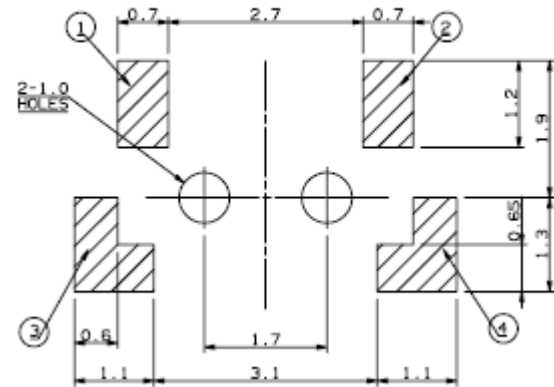
MRK.	DATE	REVISION	SIGN
△			



CIRCUIT DIAGRAM




P.C.B LAND DIMENSION



SPECIFICATION

1. RATING : DC 12V / 20mA Max
2. TRAVEL : 0.2±0.1mm
3. CONTACT RESISTANCE : 100mΩ MAX.
4. LIFE CYCLES : 100,000CYCLE
5. OPERATING FORCE : 160±50gf

01	-	-	-	1	-
NO.	DESCRIPTION		MATERIAL	COLOR/FINISH	
DRAW/DESIGNED	CHECKED	APPROVED	G.TOL ±0.2	TITLE	TACT
W.J.LEE	J.P.ROH	K.LLEE	UNIT mm	SCALE 4:1	MODEL SWITCH
 深圳市子庚科技有限公司			SIZE	DRAW NO.	SHEET
			A4	STP-1100	1/1