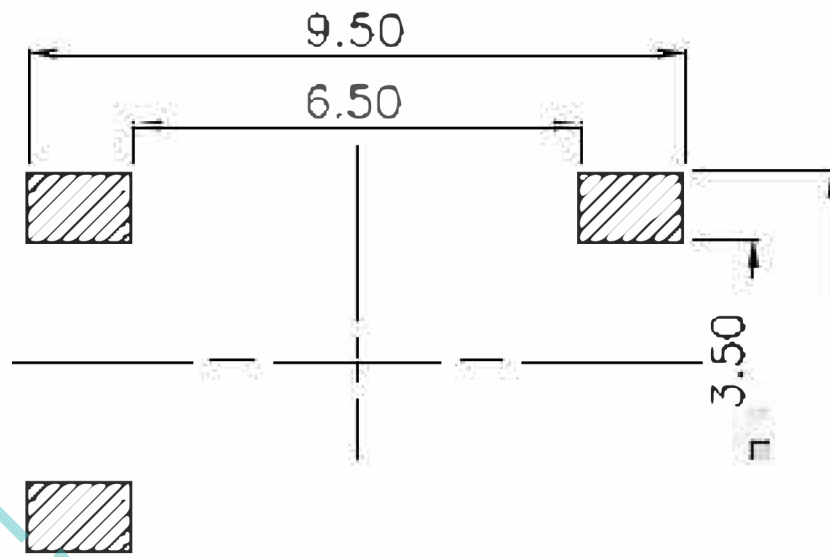
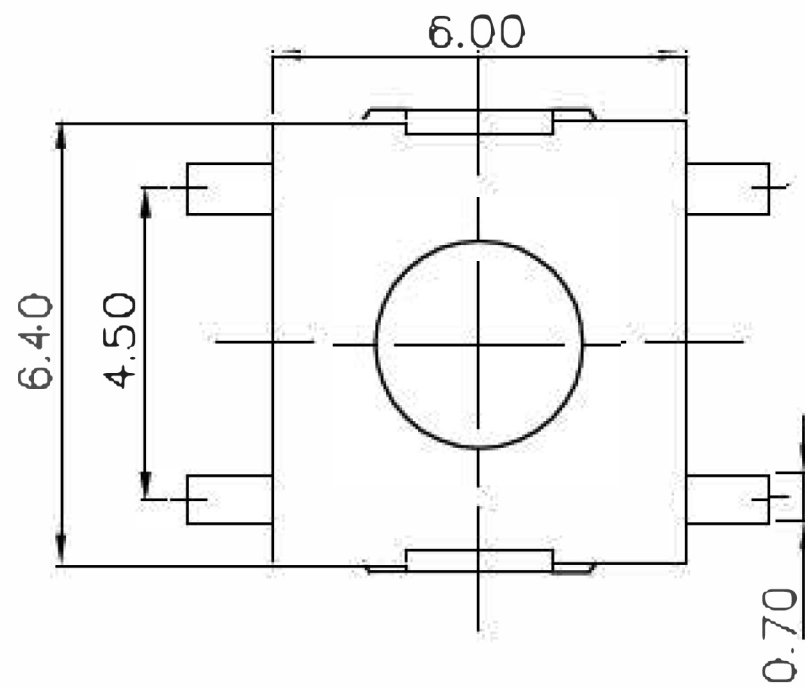
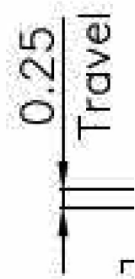


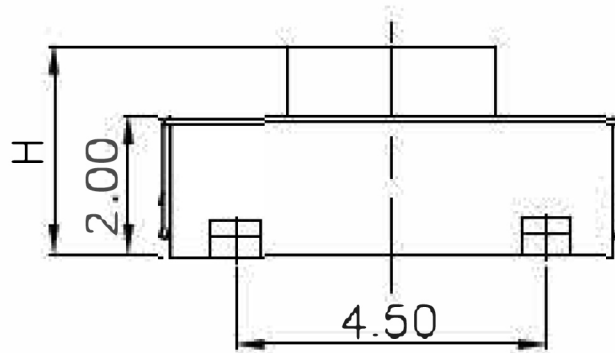
ROHS



Circuit Diagram



8.40



H
2.5
3.1
3.4
.5

NO.3	
PART NO	MATERIAL/QTY
S	SUS/1PC
C	C5210/1PC
D	SUS/2PCS
F	C5210/2PCS

NO.2	
PART NO	vlgor
1	90±30
2	130±30
3	180±30
4	250±30
5	350±50

NO.4-NO.5	
PART NO	NOTE
01~99	SERIAL NUMBER

⑤	Terminal	—	4	Copper(0.3t)	Plating silver	—
④	Contact	—	1	F.Ag/C5210	Natural	—
③	Base	—	1	Nylon	Black	—
②	Cover	—	1	Brass(0.15t)	Plating Nickel	—
①	Keystoke	—	1	Nylon	Red	—
ITEM	PART NAME	TER'NO.	QTY	MATERIAL	FINISHING	REMARK

APPROVALS		DATE	BONSDA ELECTRONICS			
DRAWN	J.X.Zhang	2013/7/17	深圳市子庚科技有限公司			
CHECKED			TITLE:	TACT SWITCHS		
APPROVALS			PART NO.	SD-1157		
TOLERANCES ARE		30~100 ±0.20	ANGLE	UNIT: mm	SCALE: 1:1	PROJ
		10~30 ±0.15	±2'	DRAWING NO.		SHEET 1 OF 1
		5~10 ±0.10				
		~5 ±0.10				

ECN NO.	REV.	DATE.	DESCRIPTION.	CHANGE.	CHECK.	APPRO.
	A		NEW			