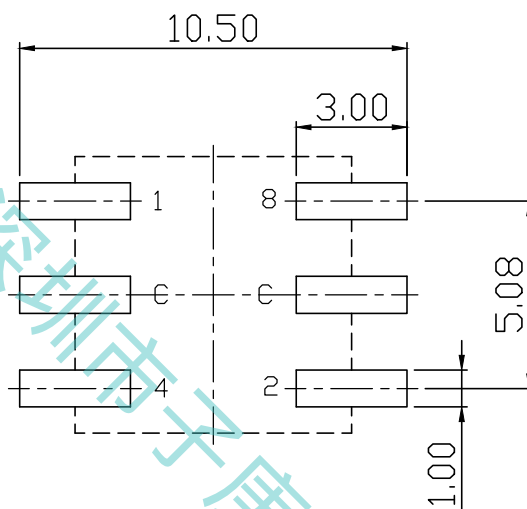
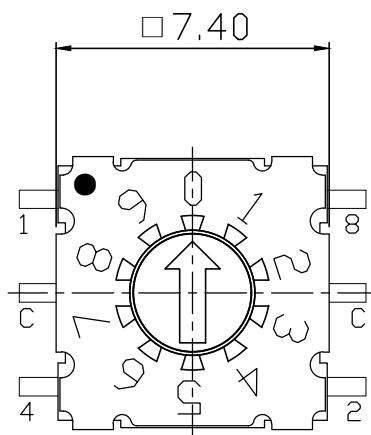


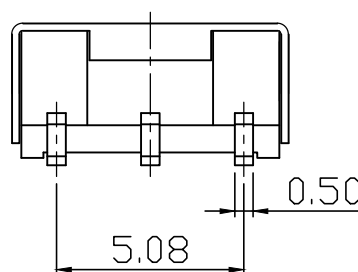
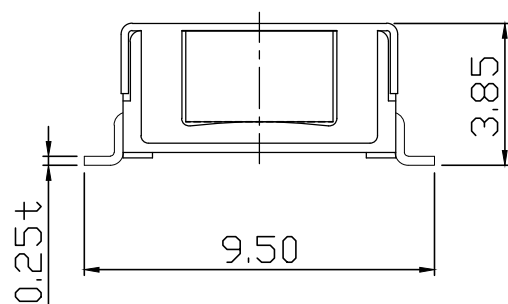
MARK	DATE	REMARKS
△		
△		



P.C.B DIMENSION  
(TOP VIEW)

**SPECIFICATION**

- Operating Voltage : 42V  
(None-Switching : 400mA)  
(Switching : 100mA)
- Contact Resistance : 80mΩ Max
- Insulation Resistance : 100MΩ Min
- Operating Force : 120gf.cm ±30 Max
- Life Cycle : 25,000 steps
- Sealing : Comparable IP67



		Real Coded				
		C	1	2	4	8
10 P o s i t i o n	0	●				
	1	●	●			
	2	●		●		
	3	●	●	●		
	4	●			●	
	5	●	●		●	
	6	●		●	●	
	7	●	●	●	●	
	8	●				●
	9	●	●			●
16 P o s i t i o n	A	●		●		●
	B	●	●	●		●
	C	●			●	●
	D	●	●		●	●
	E	●		●	●	●
	F	●	●	●	●	●

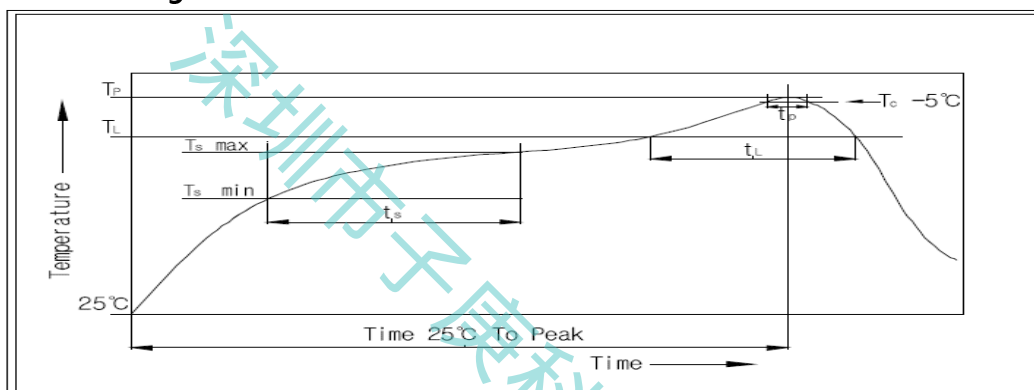
APPD	CHKD	D'SGD	TITLE.	MINI ROTARY DIP SWITCH	
J.P ROH	S.M PARK	Y.N JEON	MODEL NO.	MSDR-10S	REV 02
			 SHENZHEN ZIGENG TECHNOLOGY CO., LTD		

7. This item is "RoHS" Compliant

8. Manual Soldering : Max 350°C, 3 sec.

9. Wave Soldering : Max 280°C, 5 sec.

10. Reflow Soldering Conditions:



### 10-1 Condition for Soldering

Profile Feature	Pb-Free Assembly
Average Ramp-UP Rate(Ts max to TP)	3°C/second max
Preheat	
- Temperature Min(Ts min)	150°C
- Temperature Max(Ts max)	200°C
- Time (ts min to ts max)	60-180seconds
Time maintained above:	
- Temperature (TL)	217°C
- Time (tL)	60-150seconds
Peak/Classification Temperature(TP)	260°C +0°C/ -5°C
Time within 5°C of actual Peak Temperature(TP)	Min 30 seconds
Ramp-Down Rate	6°C/sec max
Time 25°C to Peak Temperature	8 minutes max