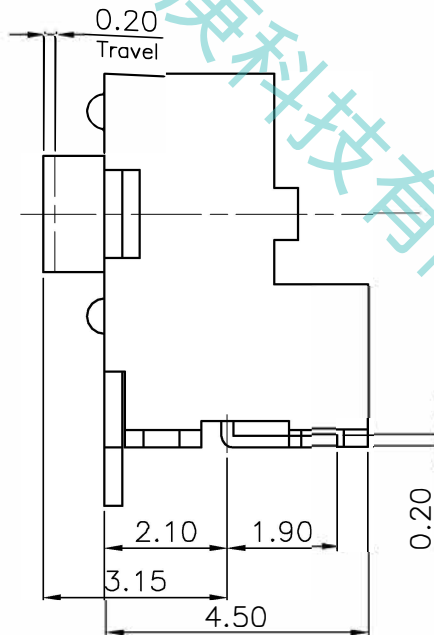
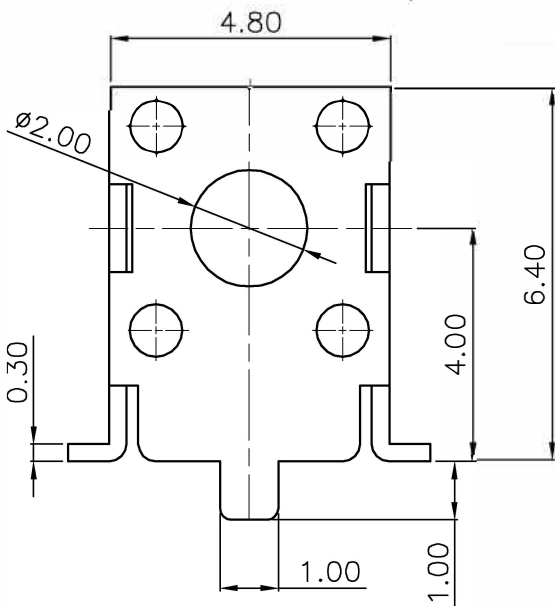


Circuit diagram

NO.1	
PART NO	vigor
1	90±30
2	130±30
3	180±30
4	250±30
5	350±50



NO.2	
PART NO	MATERIAL/QTY
S	SUS/1PC
C	C5210/1PC
D	SUS/2PCS
F	C5210/2PCS

NO.3-NO.4	
PART NO	NOTE
01~99	SERIAL NUMBER

ITEM	PART NAME	TER'NO.	QTY.	MATERIAL	FINISHING	REMARK
⑤	Terminal	—	2	Brass(0.20t)	Plating silver	—
④	Contact	—	2	F.Ag/SUS	—	—
③	Base	—	1	NYLON	Black	—
②	Cover	—	1	Brass(0.30t)	Plating silver	—
①	Keystoke	—	1	NYLON	Black	—

APPROVALS		DATE		TITLE: TACT SWITCHS		
DRAWN	xu qi feng	2014/10/22		PART NO. SD-1109		
CHECKED				TITLE: TACT SWITCHS		
APPROVALS				PART NO. SD-1109		
TOLERANCES ARE	30~以上 ±0.30	10~30 ±0.20	ANGLE	UNIT: mm	SCALE: 1:1	PROJ:
	5~10 ±0.15	~ 5 ±0.10	±2'	DRAWING NO.		SHEET 1 OF 1

ECN NO.	REV	DATE.	DESCRIPTION.	CHANGE.	CHECK.	APPRO.
	A		NEW			

深圳市子庚科技有限公司
 Shenzhen Zigen Technology Co., Ltd.