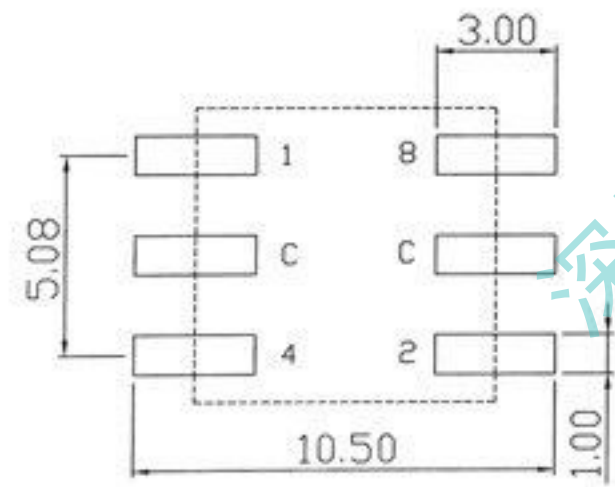
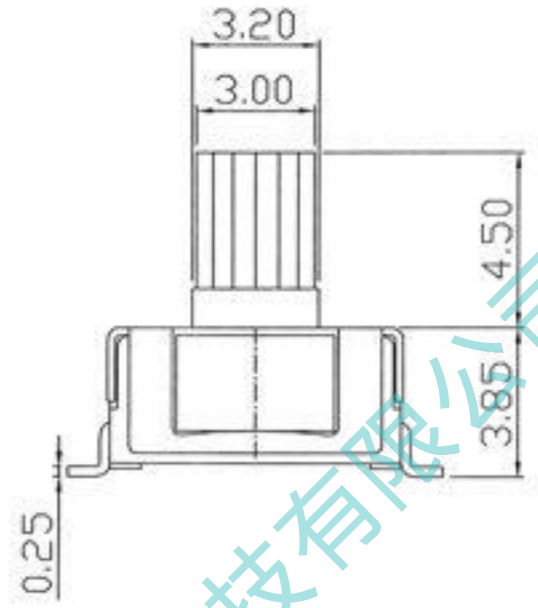
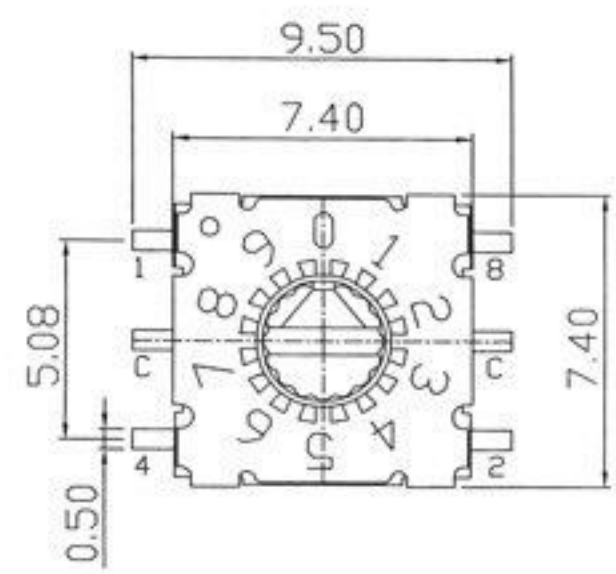


DATE	REMARKS



P.C.B DIMENSION

SPECIFICATION

- Operating Voltage : 42v
(None-Switching : 400mA)
(Switching : 100mA)
- Contact Resistance : 80mΩ Max
- Insulation Resistance : 100MΩ Min
- Operating Force : 250gf Max
- Life cycle : 20,000 steps

	Real Coded				
	C	1	2	4	8
0	●				
1	●	●			
2	●		●		
3	●	●	●		
4	●			●	
5	●	●		●	
6	●		●	●	
7	●	●	●	●	
8	●				●
9	●	●			●

Actuator Color: Ivory



深圳市子庚科技有限公司

TEL:0755-84517080

NO.	DESCRIPTION	Q'TY	MAT'L	SPEC'	FINISH	REMARKS
JANG	UNIT M/M	SCL	MODEL NAME	MINI ROTARY DIP SWITCH		
APPD.	CHGD.	D'SCD	TITLE MSSR-10S			
K.I LEE	J.P ROH	J.S SIN	DRWG NO.	Sheet No	1 / 2	REV A
Shenzhen ZiGeng Technology Co. Ltd						