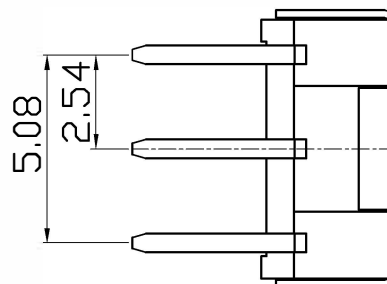
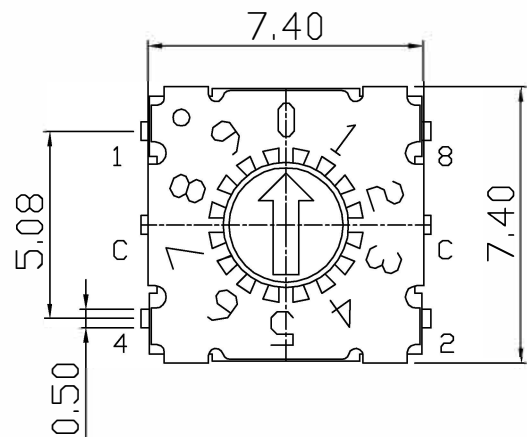
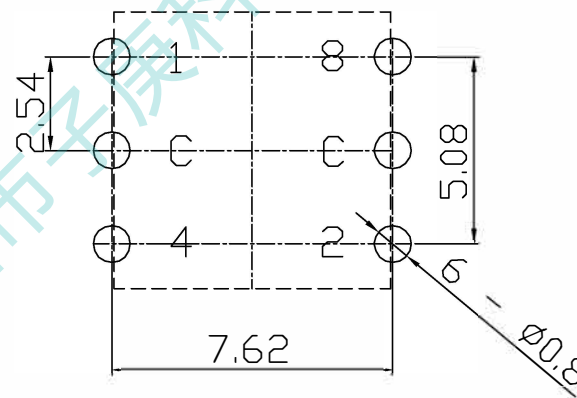
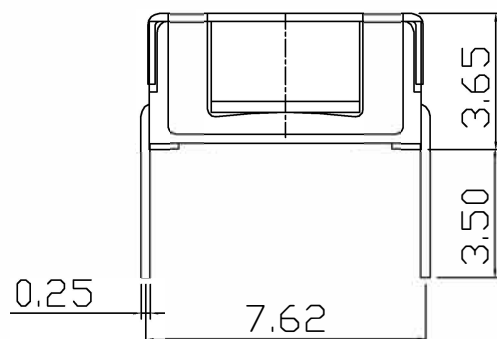


MARK	DATE	REMARKS
△		
△		



SPECIFICATION

- Operating Voltage : 42v
(None-Switching: 400mA)
(Switching : 100mA)
- Contact Resistance : 80mΩ Max
- Insulation Resistance : 100MΩ Min
- Operating Force : 120gf ±30gf Max
- Life cycle : 25,000 steps



P.C.B DIMENSION

		Real Coded				
		C	1	2	4	8
10 P o s i t i o n	0	●				
	1	●	●			
	2	●		●		
	3	●	●	●		
	4	●			●	
	5	●	●		●	
	6	●		●	●	
	7	●	●	●	●	
	8	●				●
	9	●	●			●
16 P o s i t i o n	A	●		●		●
	B	●	●	●		●
	C	●			●	●
	D	●	●		●	●
	E	●		●	●	●
	F	●	●	●	●	●

APPD	CHKD	D'SGD	TITLE
K.L LEE	JP ROH	J.S SIN	MINI ROTARY DIP SWITCH
MODEL NO. MSDR-10			REV A
深圳市子庚科技有限公司			