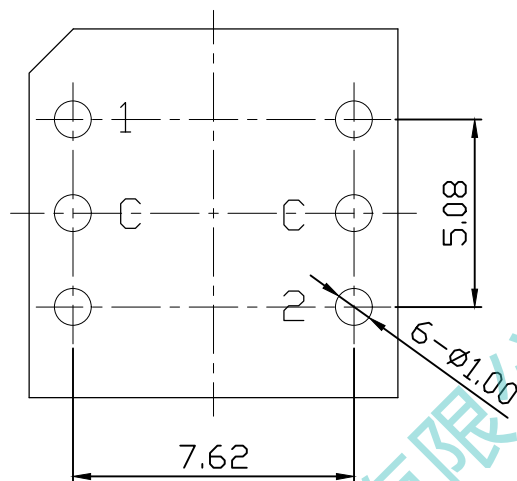
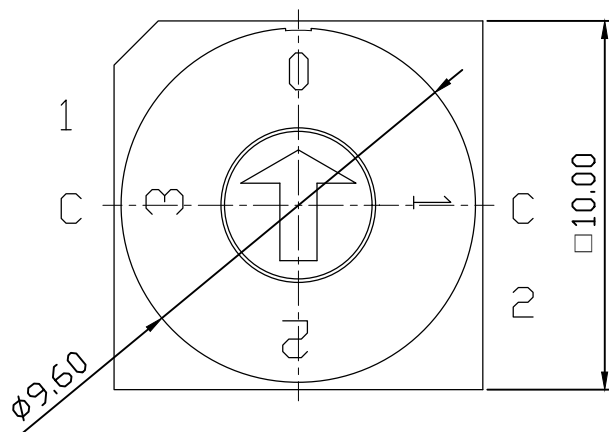


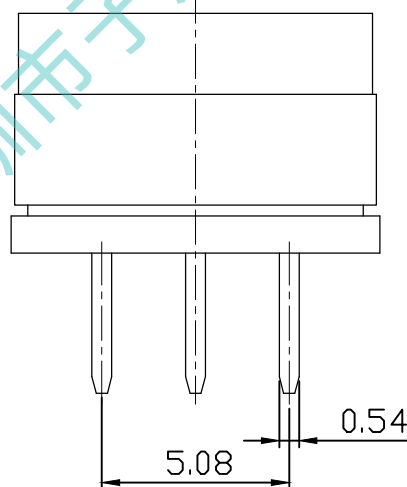
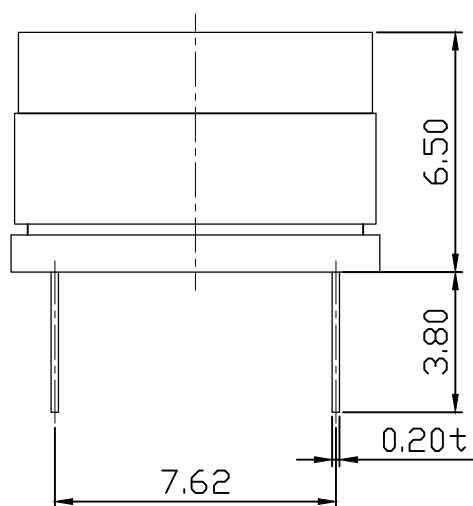
MARK	DATE	REMARKS
△		
△		



SPECIFICATION

1. Rating : 150mA, 42V DC (Switching)
200mA, 42V DC (None-Switching)
2. Contact Resistance : 80mΩ Max
3. Insulation Resistance : 100MΩ Min
4. Operating Force : 700gf Max
5. Life cycle : 10,000 steps

P.C.B DIMENSION(TOP VIEW)



	Real Coded		
	C	1	2
04 Position	0	●	
	1	●	●
	2	●	
	3	●	●

APPD	CHKD	D'SGD	TITLE
J.P ROH	S.M PARK	Y.N JEON	ROTARY DIP SWITCH
MODEL NO.			TDR-04
			REV 02
SHENZHEN ZIGENG TECHNOLOGY CO., LTD			