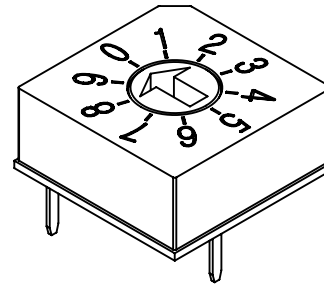
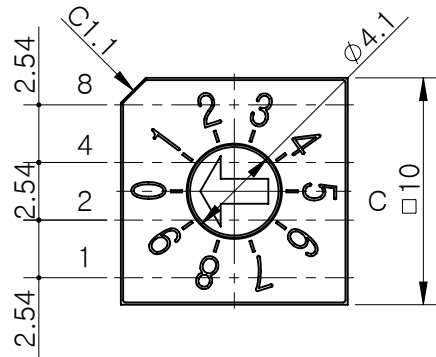
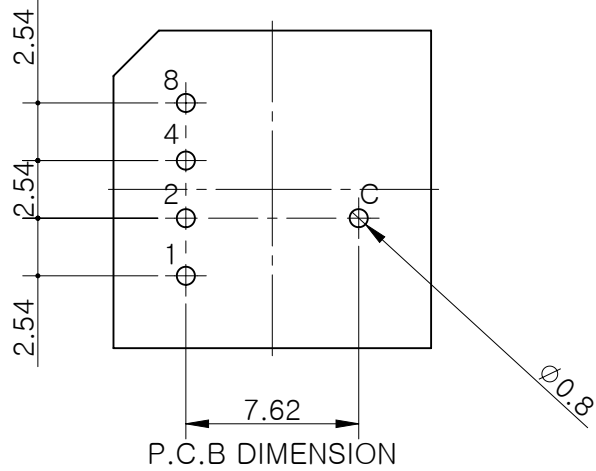


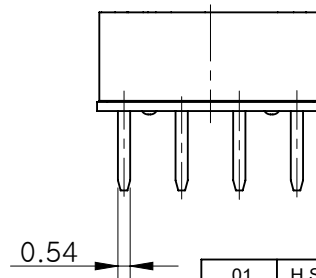
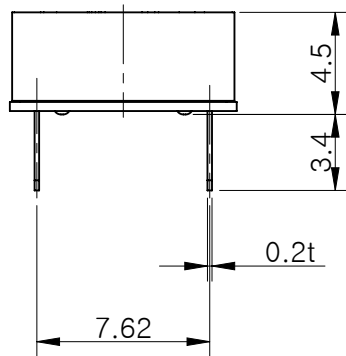
MRK.	DATE	REVISION	SIGN
△			



Specification

- Rating : 25mA, 12V DC (Switching)
25mA, 24V DC (None-Switching)
- Contact Resistance : 100mΩ Max
- Insulation Resistance : 100MΩ Min
- Operating Force : 700gf Max
- Life cycle : 10,000 steps

		Real Code				
		C	1	2	4	8
16 P o s i t i o n	0	●				
	1	●	●			
	2	●		●		
	3	●	●	●		
	4	●			●	
	5	●	●		●	
	6	●		●	●	
	7	●	●	●	●	
	8	●				●
	9	●	●			●
P o s i t i o n	A	●		●		●
	B	●	●	●		●
	C	●			●	●
	D	●	●		●	●
	E	●		●	●	●
	F	●	●	●	●	●



STANDARD LAYOUT

01	H Series		재질 <지정안함>		1	-
NO.	DESCRIPTION		MATERIAL		Q.TY	VENDOR
DRAW/DESIGNED	CHECKED	APPROVED		G.TOL	TITLE	
Y.M JEON	S.M PARK	J.P POH		±0.1	H Series	
			UNIT	SCALE	MODEL	SHEET
			mm	3:1	HADR-10	
			SIZE	DRAW NO.	HAD000	1/1