

# DATA SHEET 数据表

**BONSDA CODE** : \_\_\_\_\_ **FER-10**  
邦斯达代码

**DESCRIPTION** : \_\_\_\_\_ **ROTARY DIP SWITCH**  
描述

## **CUSTOMER APPROVAL** 客户确认

**PART NO.** : \_\_\_\_\_  
料号

**SIGNATURES** : \_\_\_\_\_  
签章

### **SHENZHEN ZIGENG TECHNOLOGY CO. , LTD**

ADDRESS D BUILDING 3TH FLOOR,ZIGENG RODA NO.49,KENGZI STREETS,  
PINGSHAN NEW DISTRICT,SHENZHEN,GUANGDONG PROVINCE,CHINA

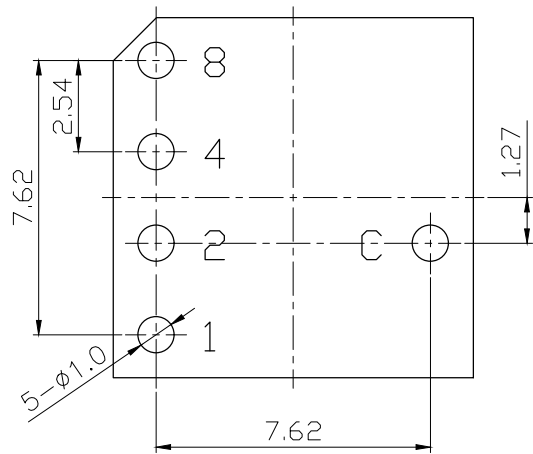
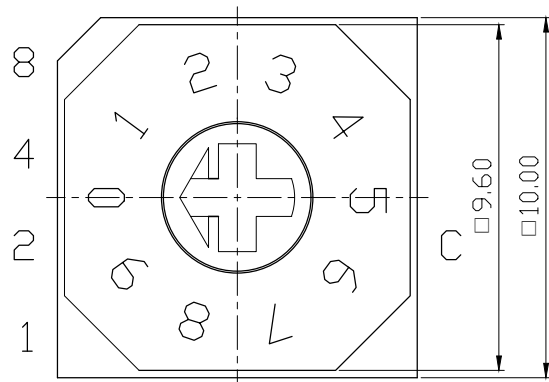
TEL +86 755-8451 7080

FAX +86 755-2782 3630

E-MAIL LINSL@ZIGKJ.COM

WEBSITE WWW.ZIGKJ.COM

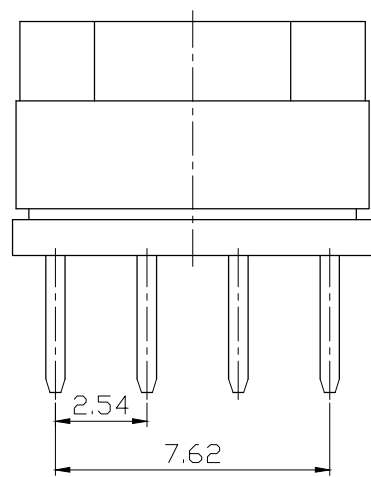
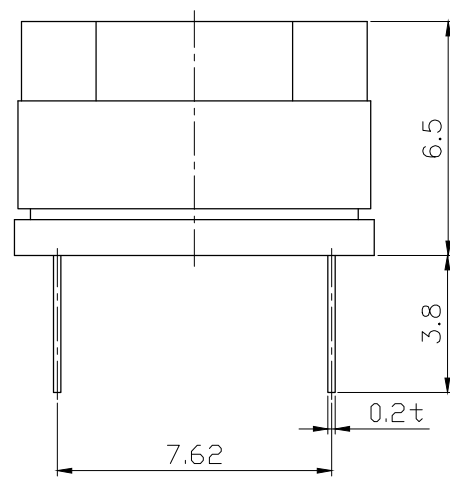
MARK	DATE	REMARKS
△		
△		



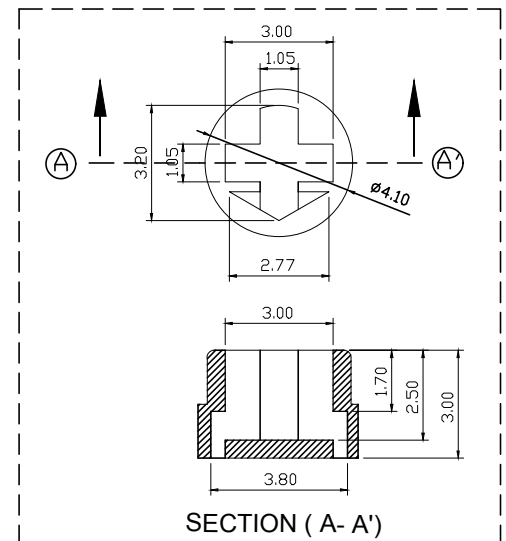
P.C.B DIMENSION (TOP VIEW)


### SPECIFICATION

1. Rating : 150mA, 42V DC (Switching)  
200mA, 42V DC (None-Switching)
2. Contact Resistance : 80mΩ Max
3. Insulation Resistance : 100MΩ Min
4. Operating Force : 700gf Max
5. Life cycle : 10,000 steps



		Real Code				
		C	1	2	4	8
10 P o s i t i o n	0	●				
	1	●	●			
	2	●		●		
	3	●		●		
	4	●			●	
	5	●	●		●	
	6	●		●	●	
	7	●	●	●	●	
	8	●				●
	9	●	●			●
16 P o s i t i o n	A	●		●		●
	B	●	●		●	●
	C	●			●	●
	D	●	●		●	●
	E	●		●	●	●
	F	●	●	●	●	●



APPD	CHKD	D'SGD	TITLE. ROTARY DIP SWITCH	
J.P. ROH	S.M. PARK	Y.N. JEON	MODEL NO. FER-10	REV 02
 SHENZHEN ZIGENG TECHNOLOGY CO., LTD				